

## Cloud droplets to precipitation:

**$N(d)$ , LWC,  $w$ ,  $\Theta$ ...**  
**time evolution**  
**kinematic structure**

**SCMS Florida '95:**

**pulsating growth**  
**early drizzle/rain spotty, 'random'**

**KingAir – in situ air motions and microphysics**

**Wyoming Cloud Radar – reflectivity, Doppler velocity**

**repeat sampling**  
**ensemble sampling**

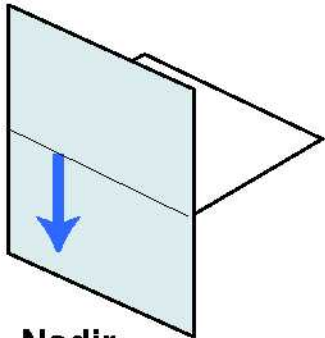
**Supporting observations: SPOL (time evolution)**

**SABLE (cloud base)**

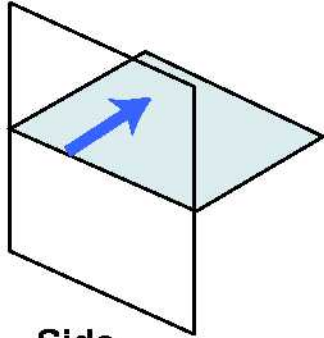
**C130 (aerosol and CCN)**

**Cloud photography**

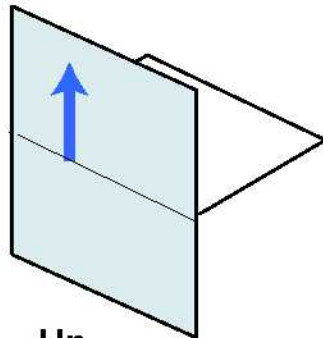
**Single beam**



**Nadir**

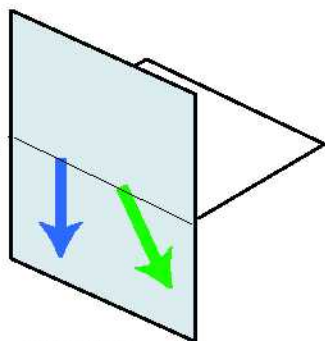


**Side**

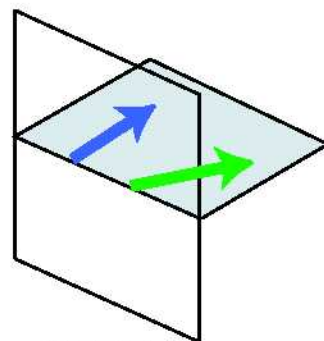


**Up**

**Dual Doppler**

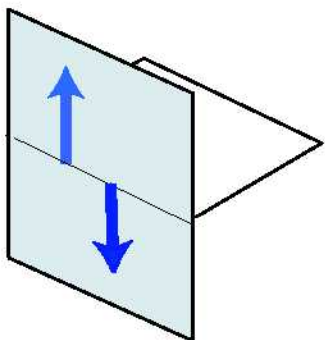


**VPDD**

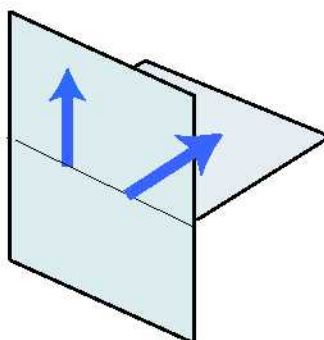


**HPDD**

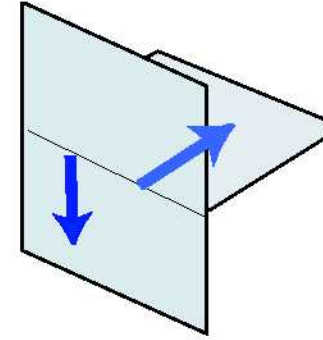
**Dual beam**



**Up/Down**

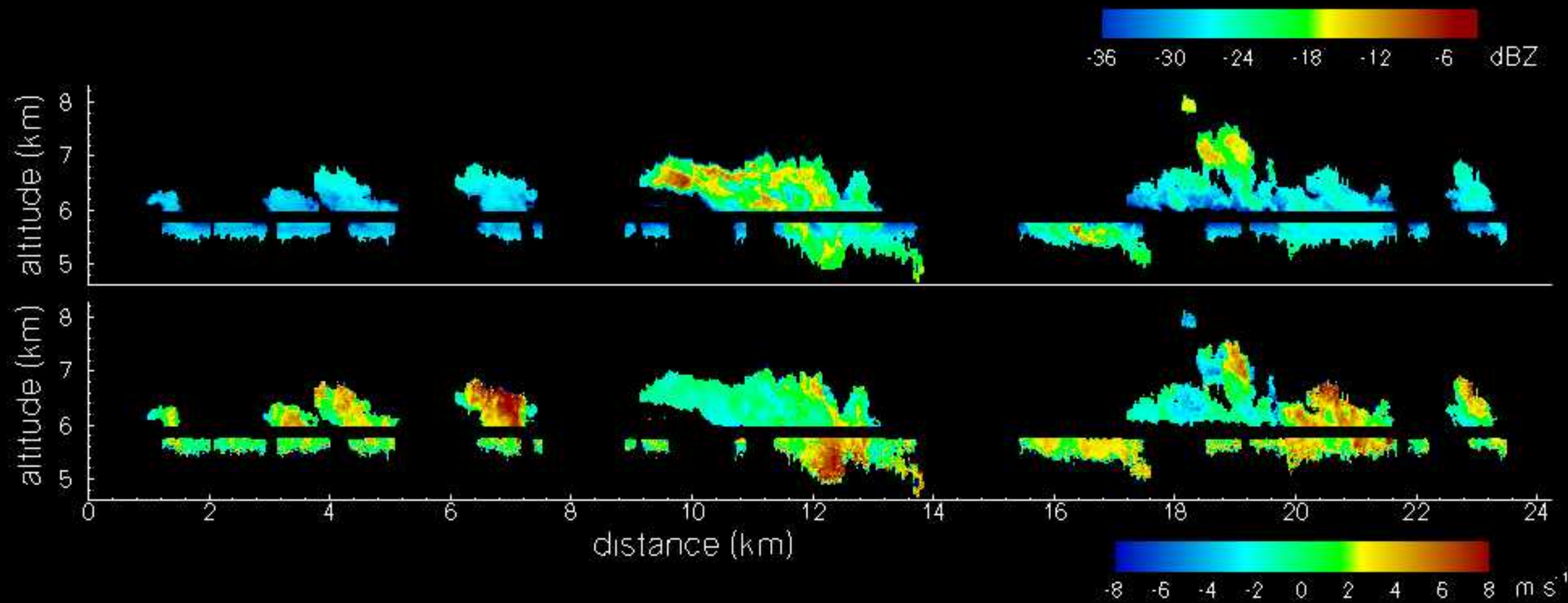


**Up/Side**



**Down/Side**

## reflectivity

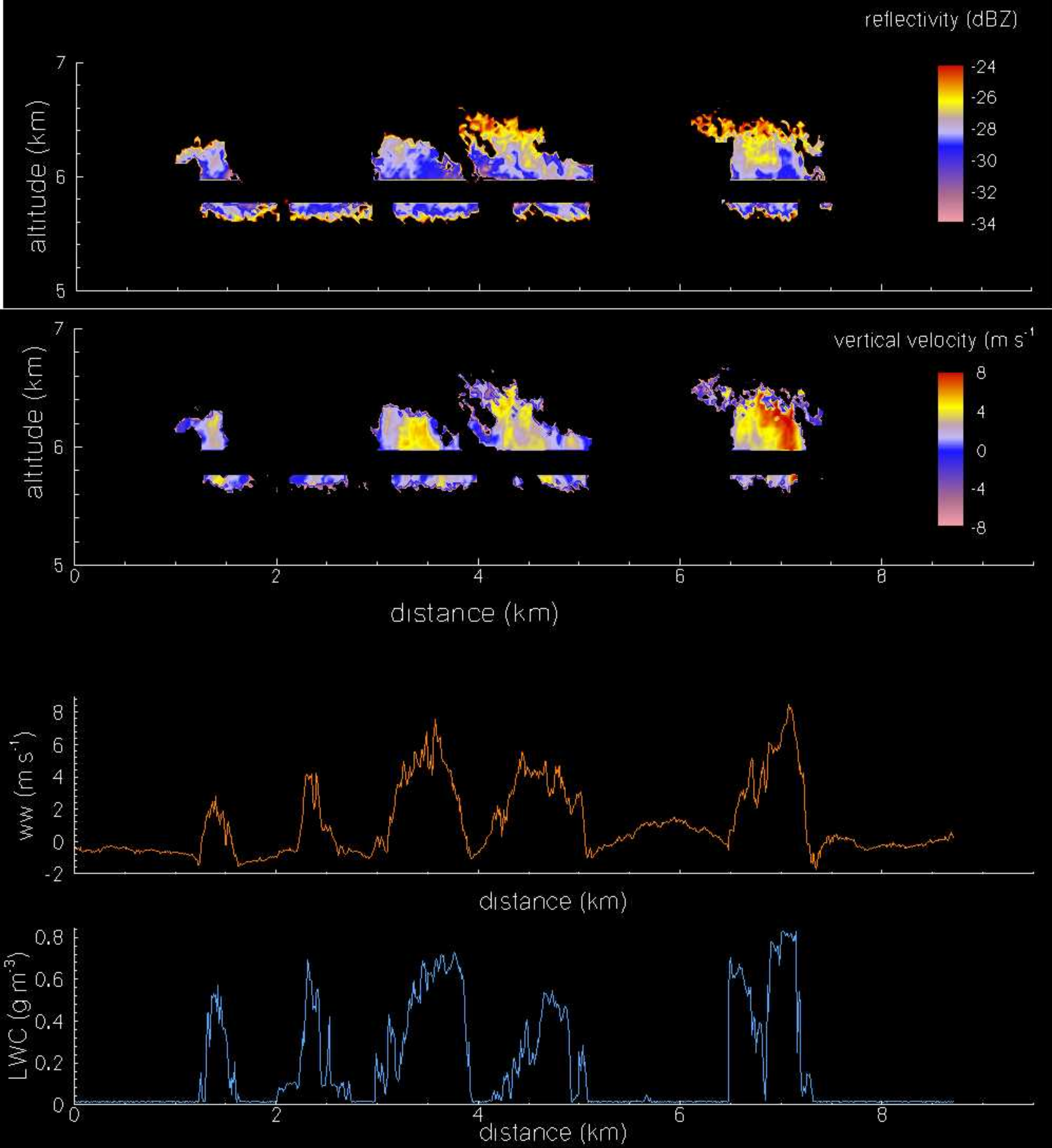


## vertical velocity

HiCu03 aug 7; line from NW to SE; 20:32 - 20:36  
5860 m;  $-6.6^{\circ}\text{C}$





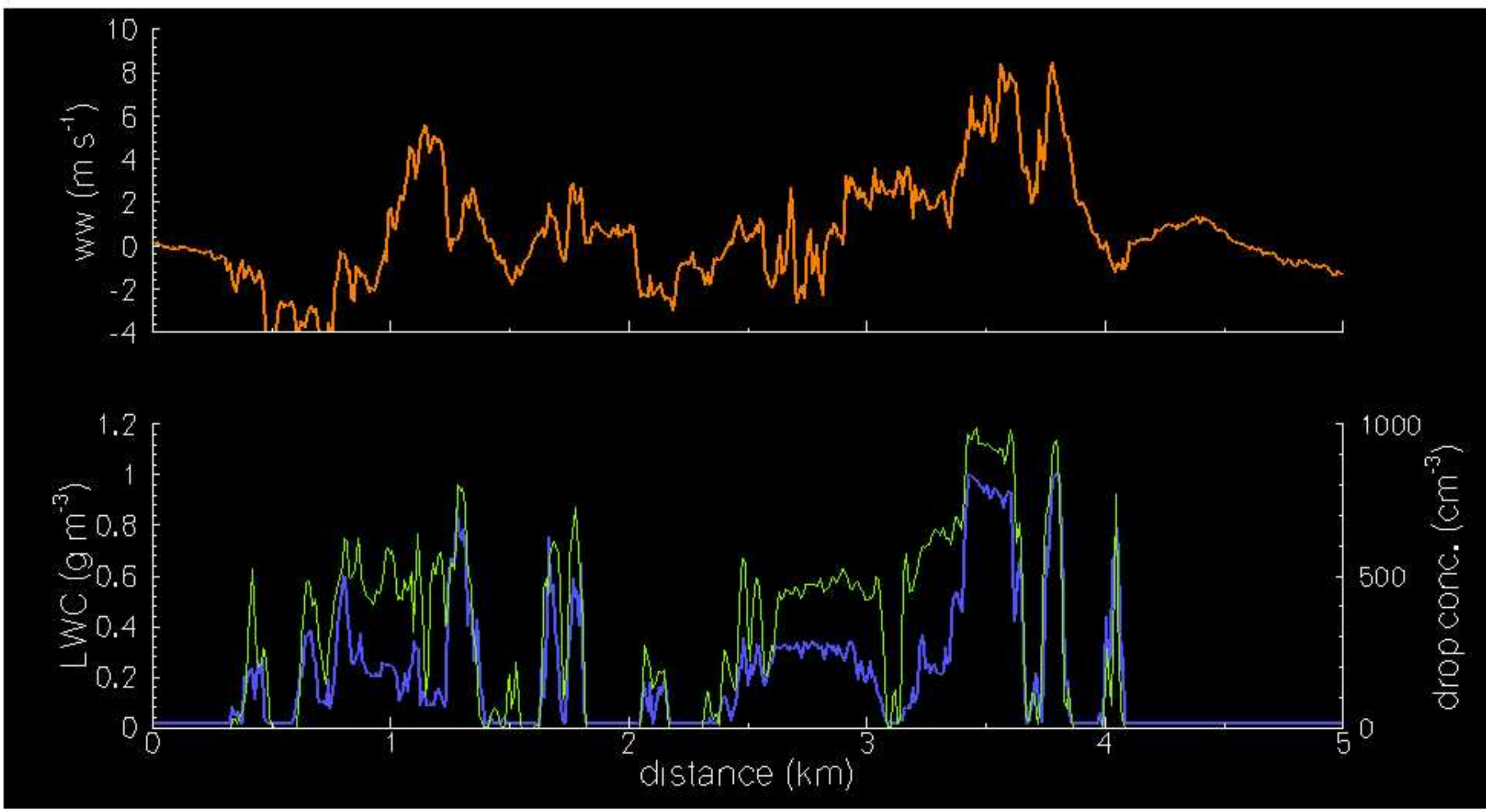
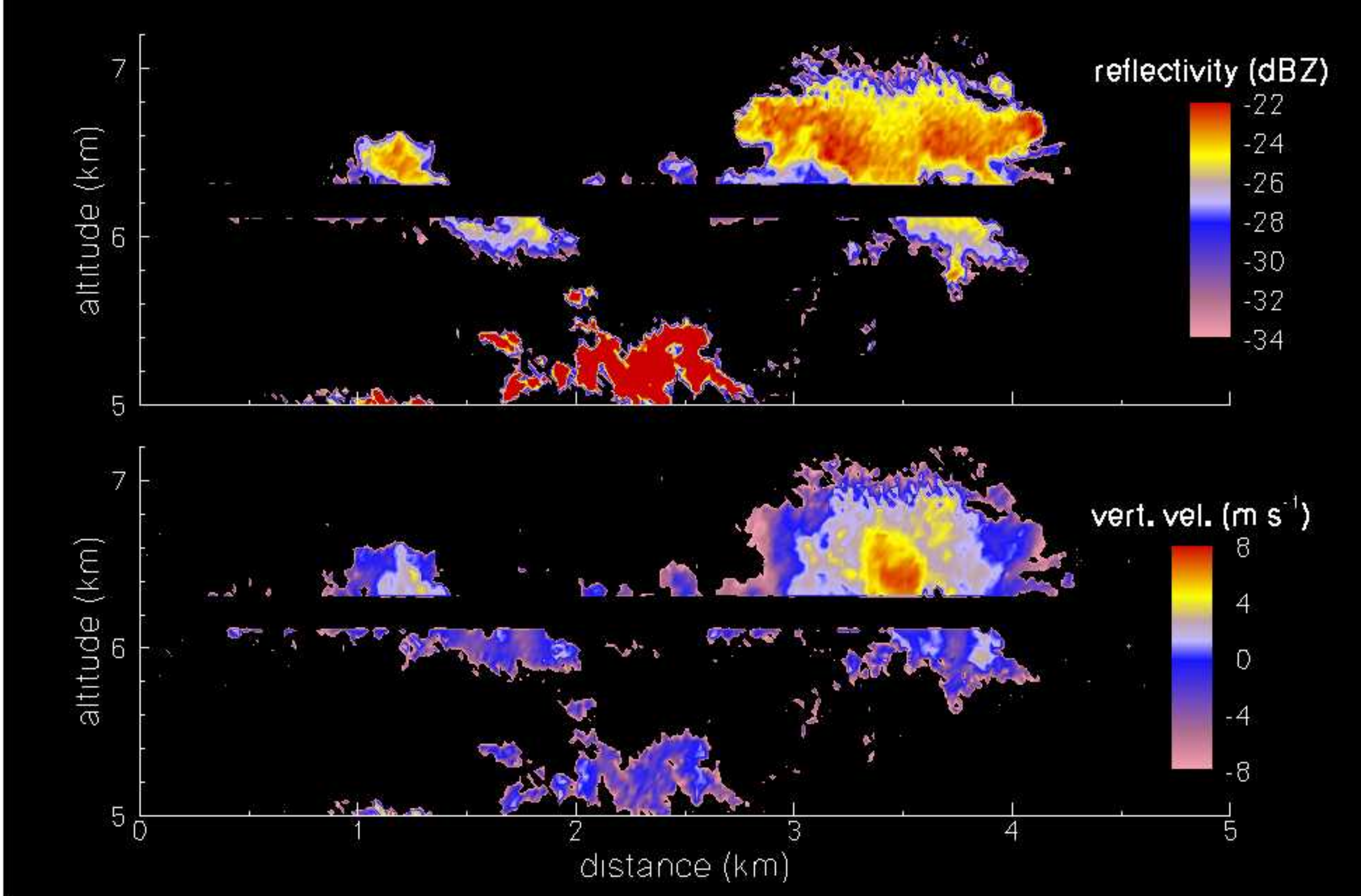


HiCu03; aug 7 NW to SW line; 20:32:00 - 20:33:35 5860 m  $-6.6^{\circ}\text{C}$



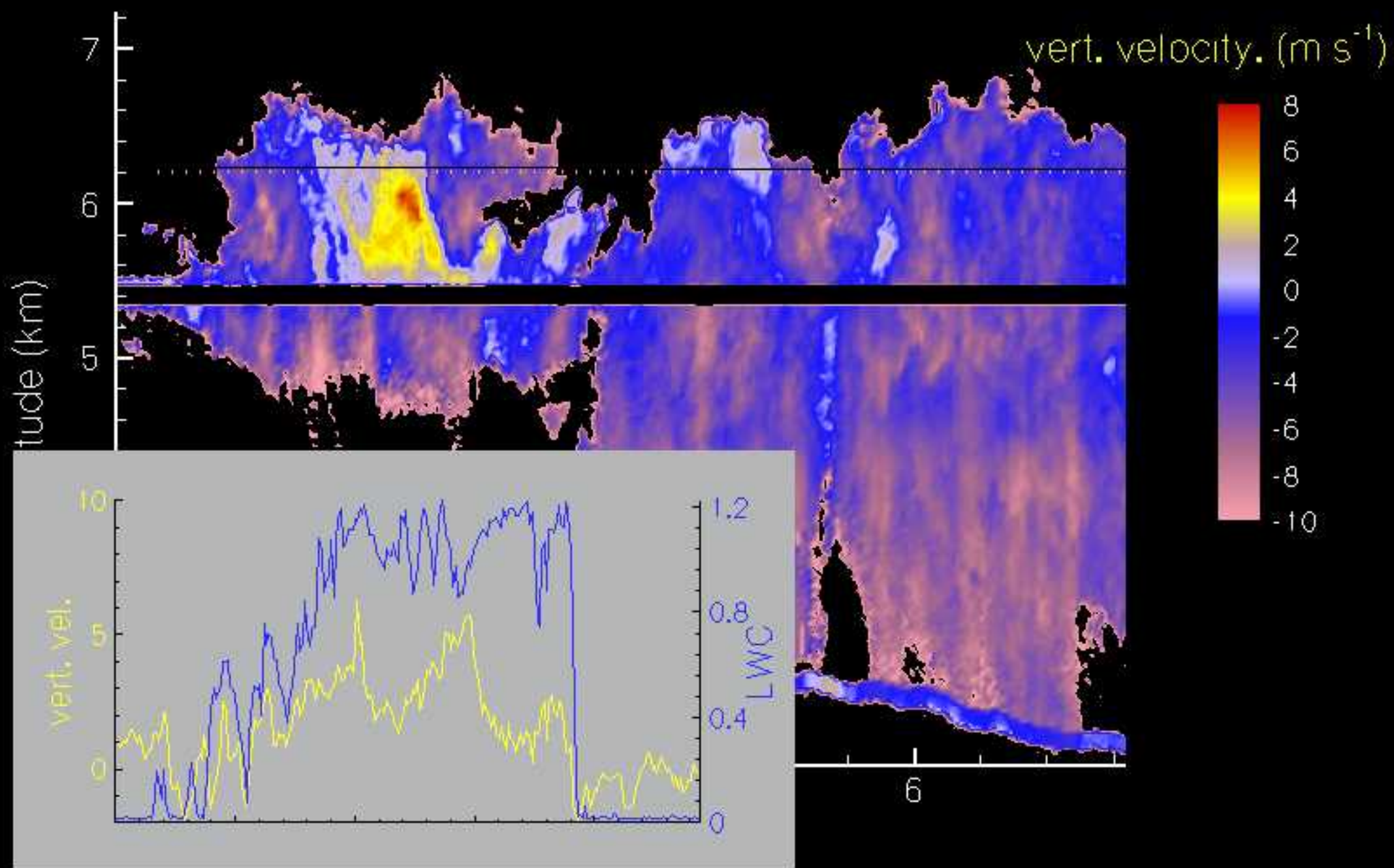
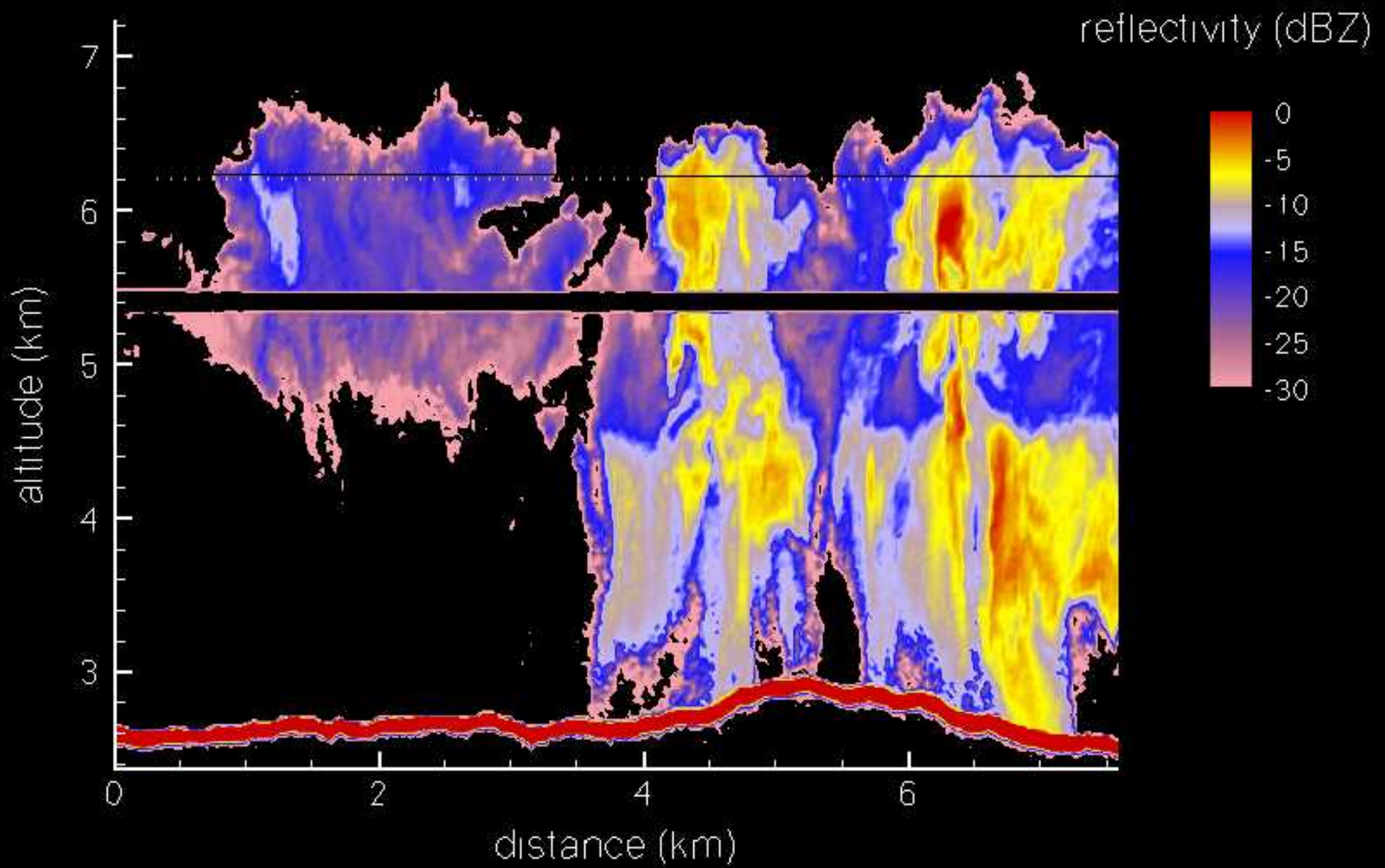






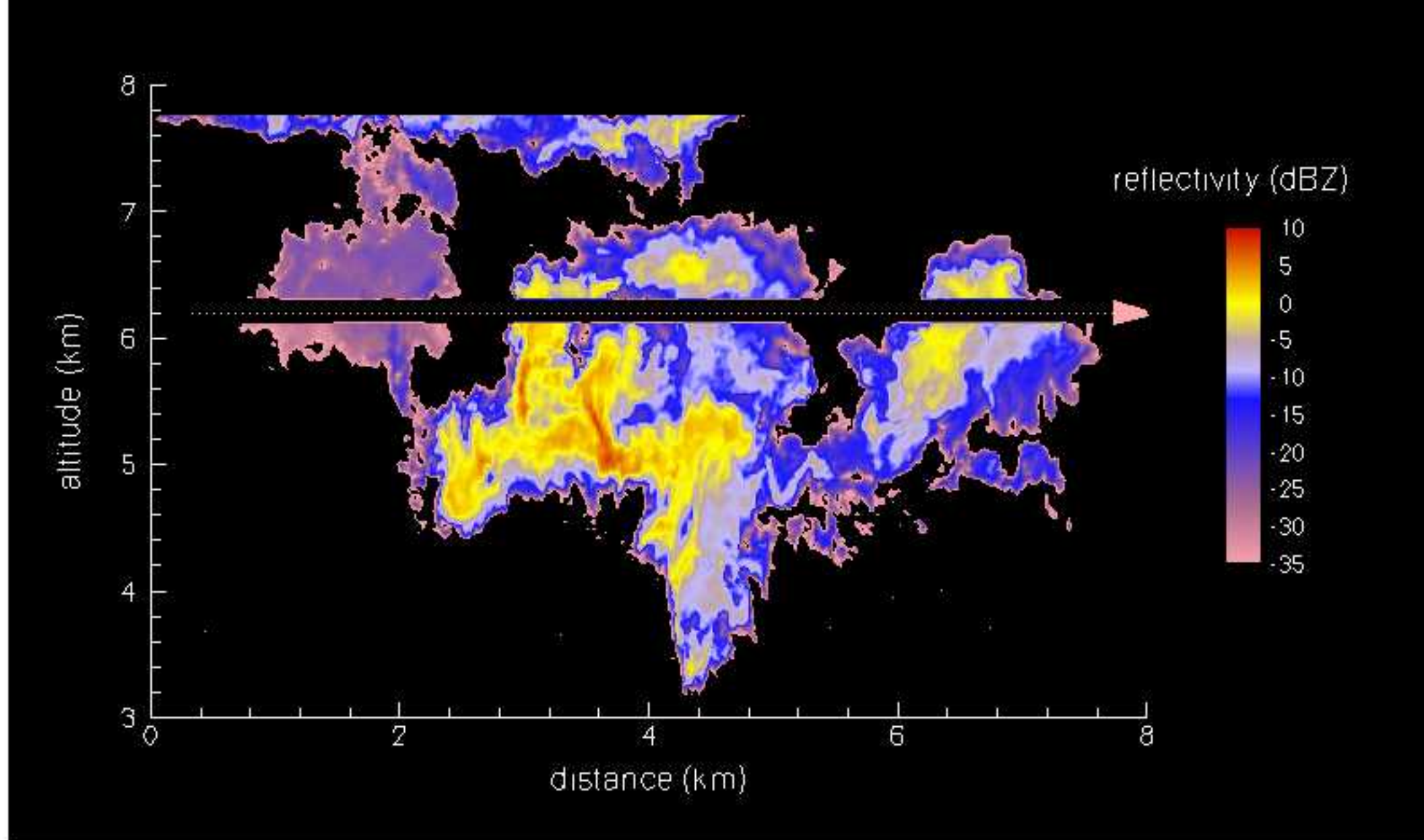
HiCu03; aug 7 NW to SE pass; 20:46:31 - 20:47:30 6210 m  $-8.9^{\circ}\text{C}$



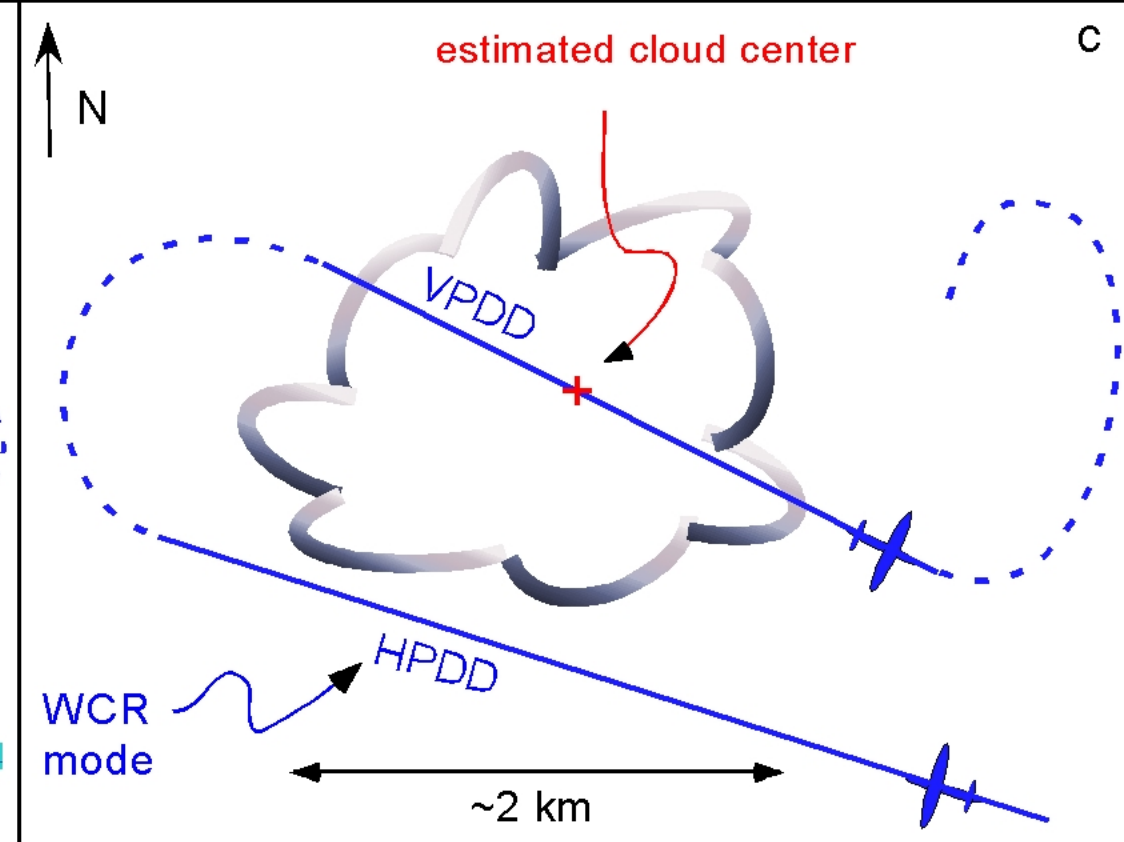
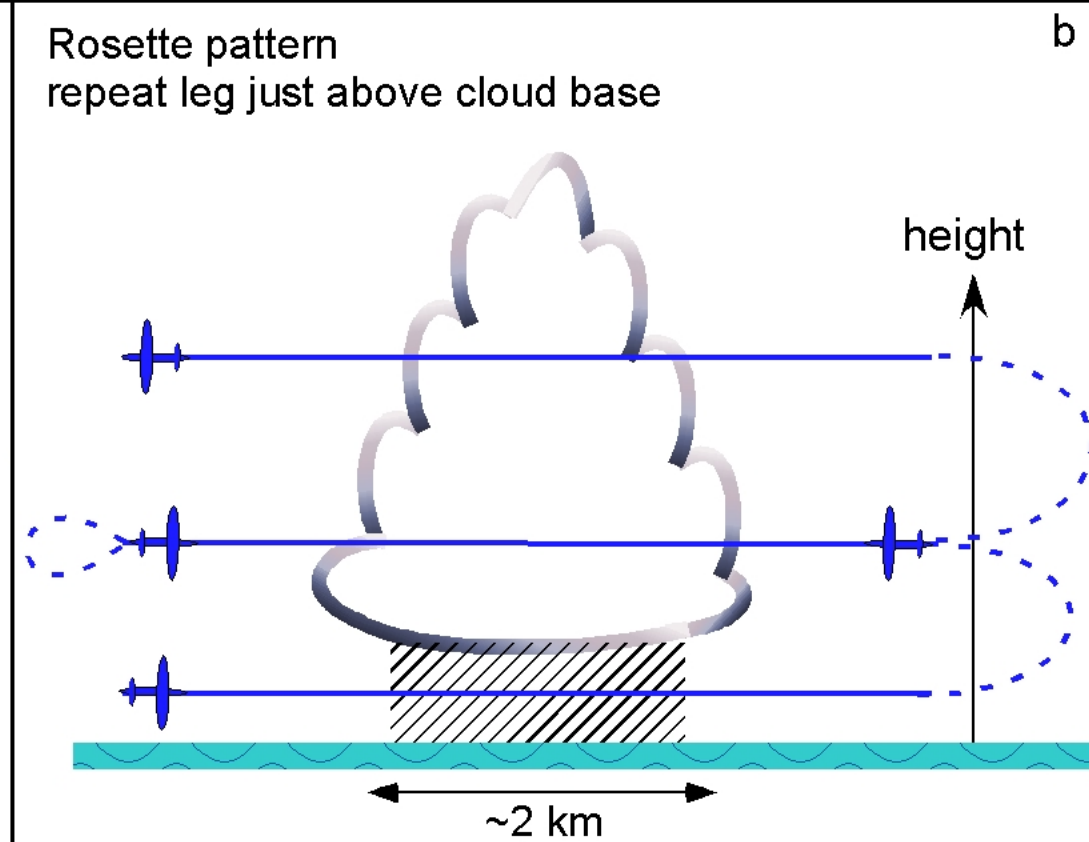
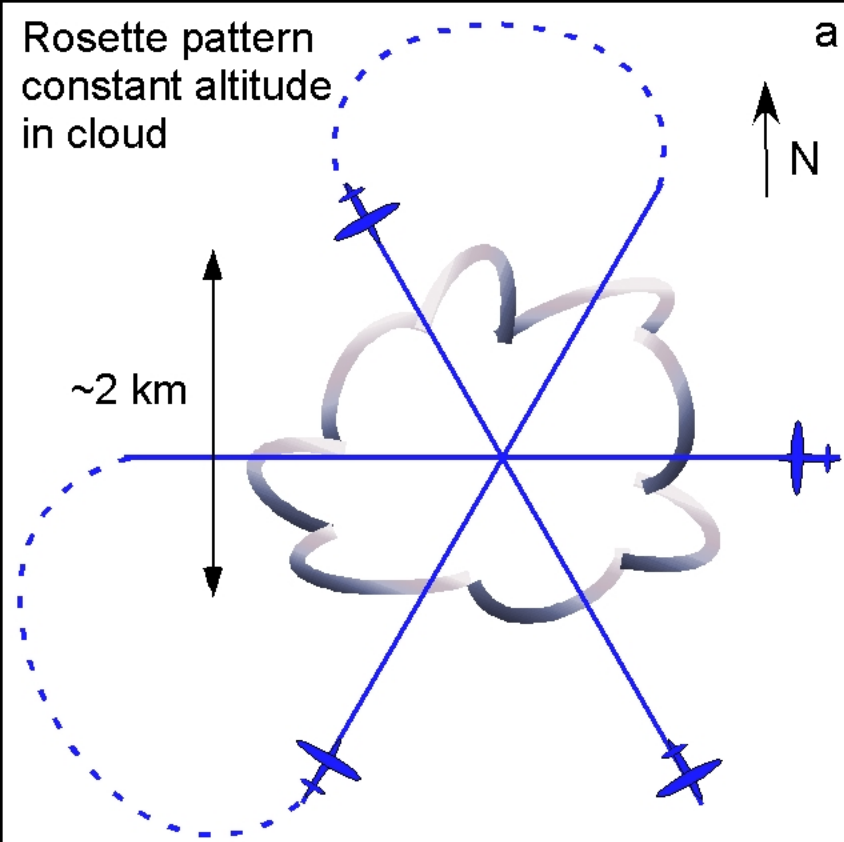


HiCu03 aug 8; S to N pass; 19:53:00 - 19:54:25  
 5405 m;  $-3.2^{\circ}\text{C}$

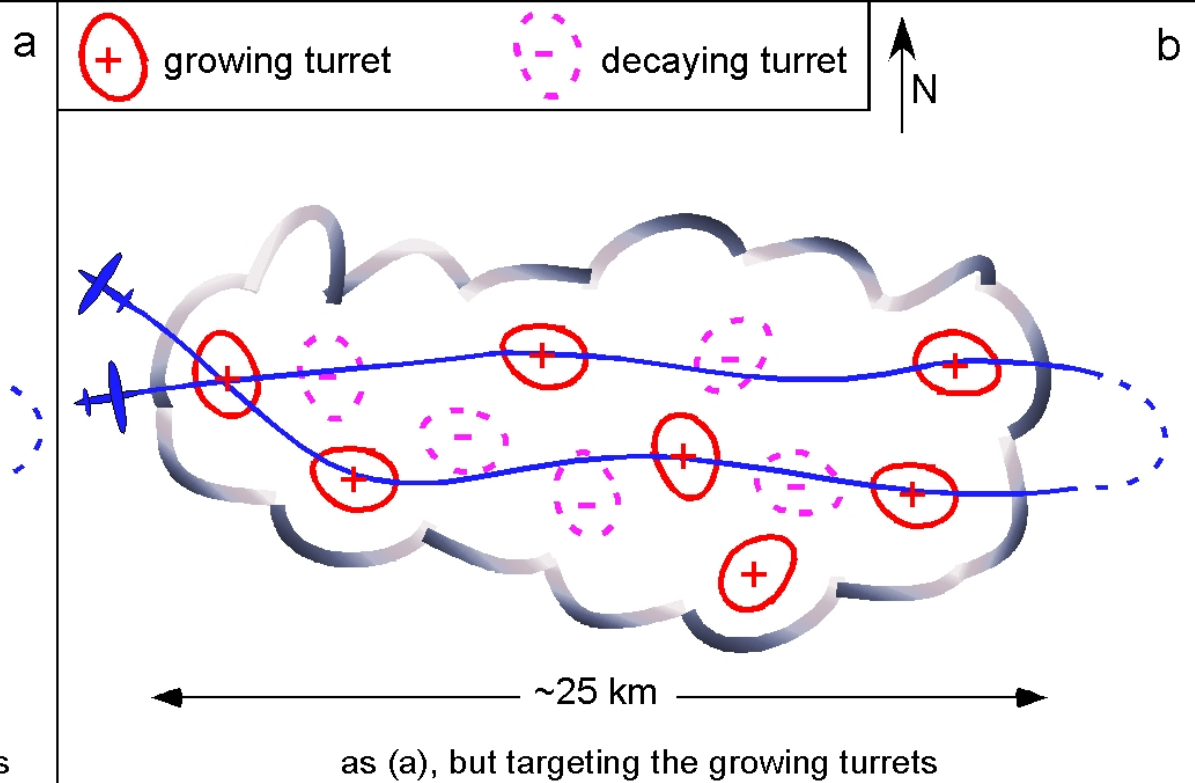
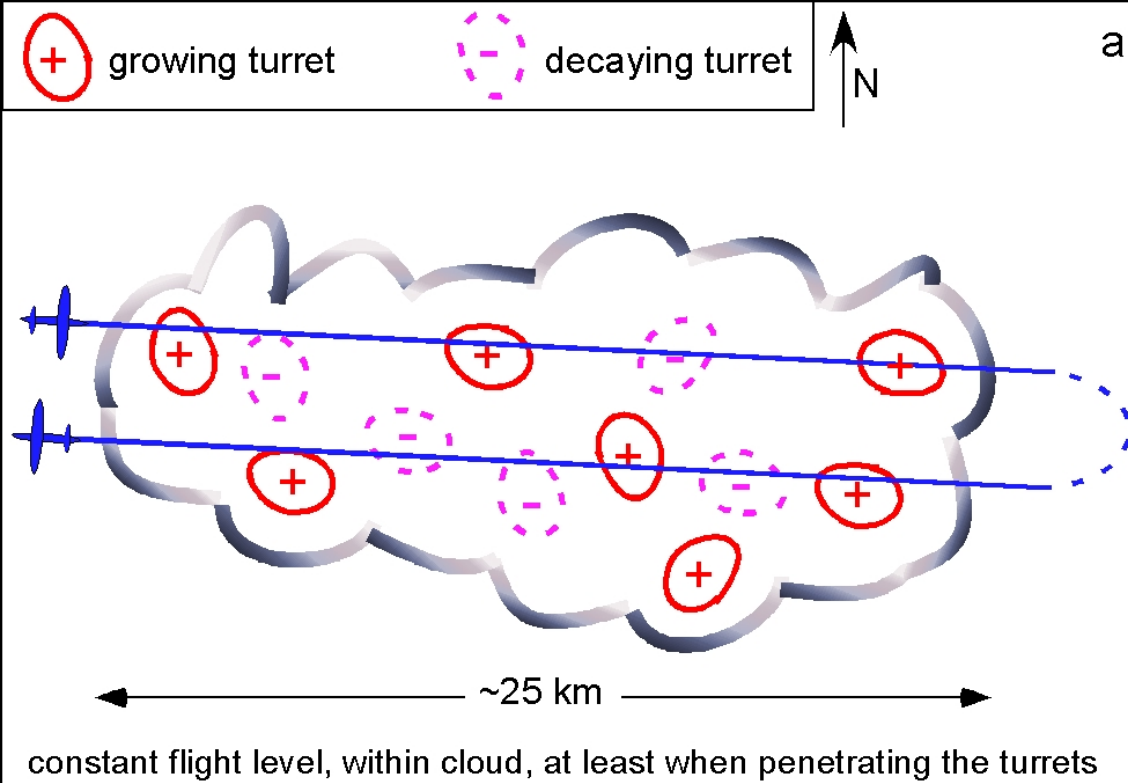




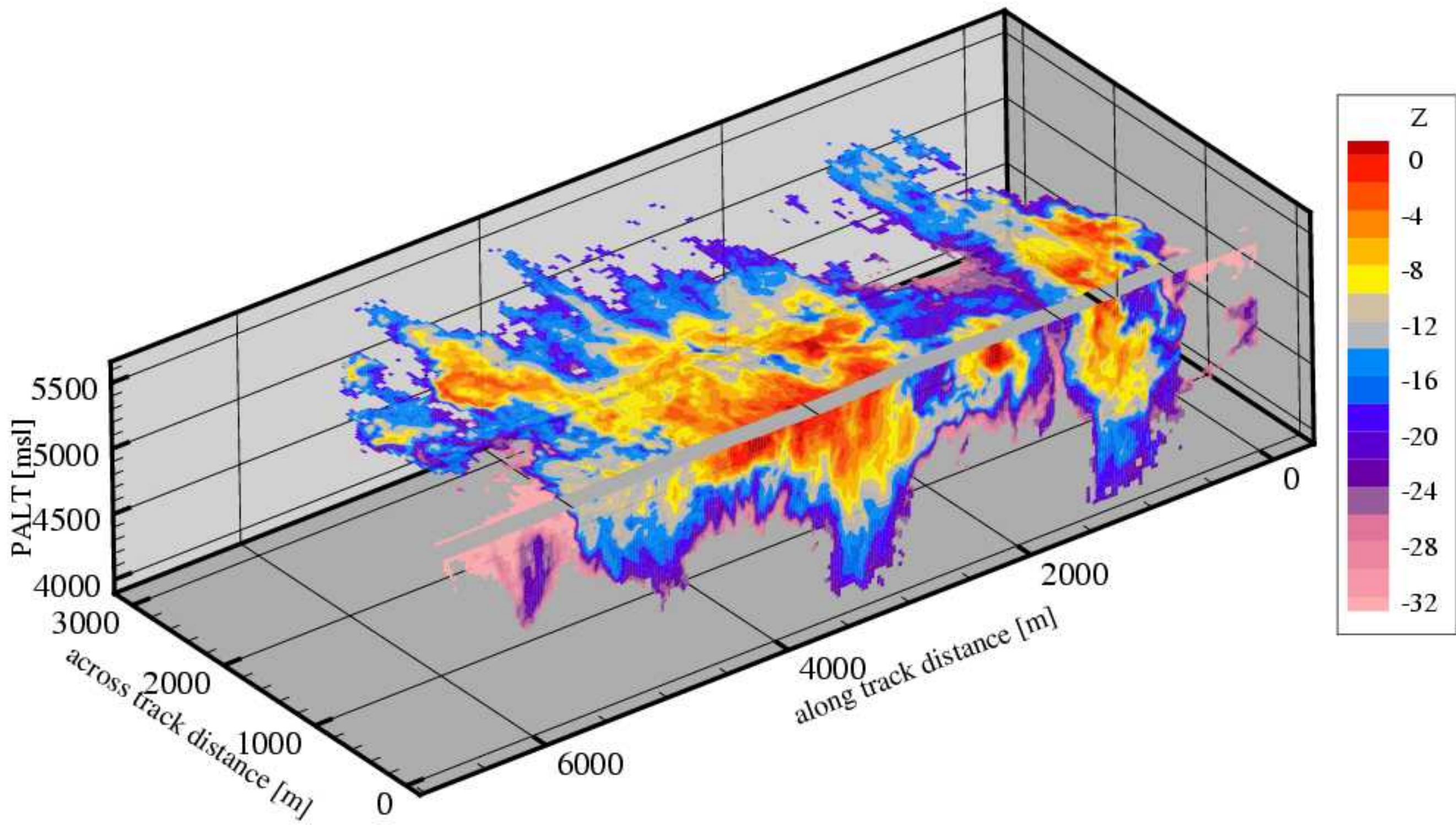
HiCu03 aug 7; NW to SE pass; 20:44:19 - 20:46:01  
6210 m; -8.9°C



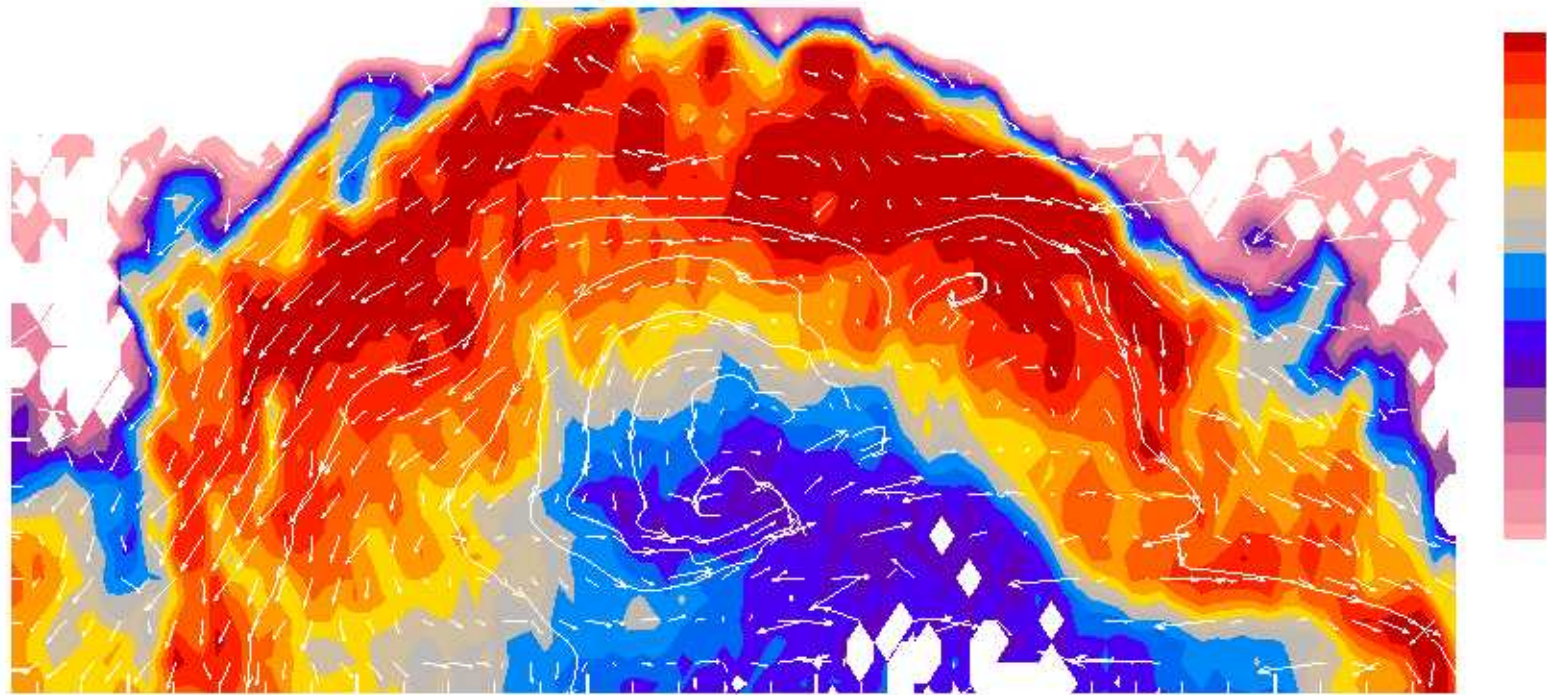




HiCu03 Aug26th side/dwn scan 17:26:00-17:27:15







HiCu03 Jul12th 193510:193600 HBDD case

