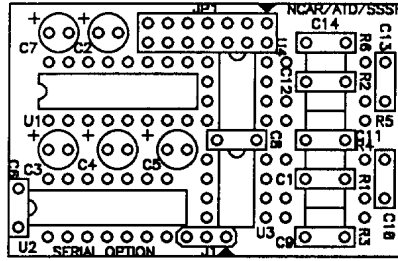


# 0.1 NCAR Serial Option Board / RS232-RS485 Converter

The NCAR Serial Option board is a small plug-in sub-module used on the Electronics Front Panel to translate RS422 or half-duplex RS485 to RS232 signals for interfacing to the EVE Serial ports.

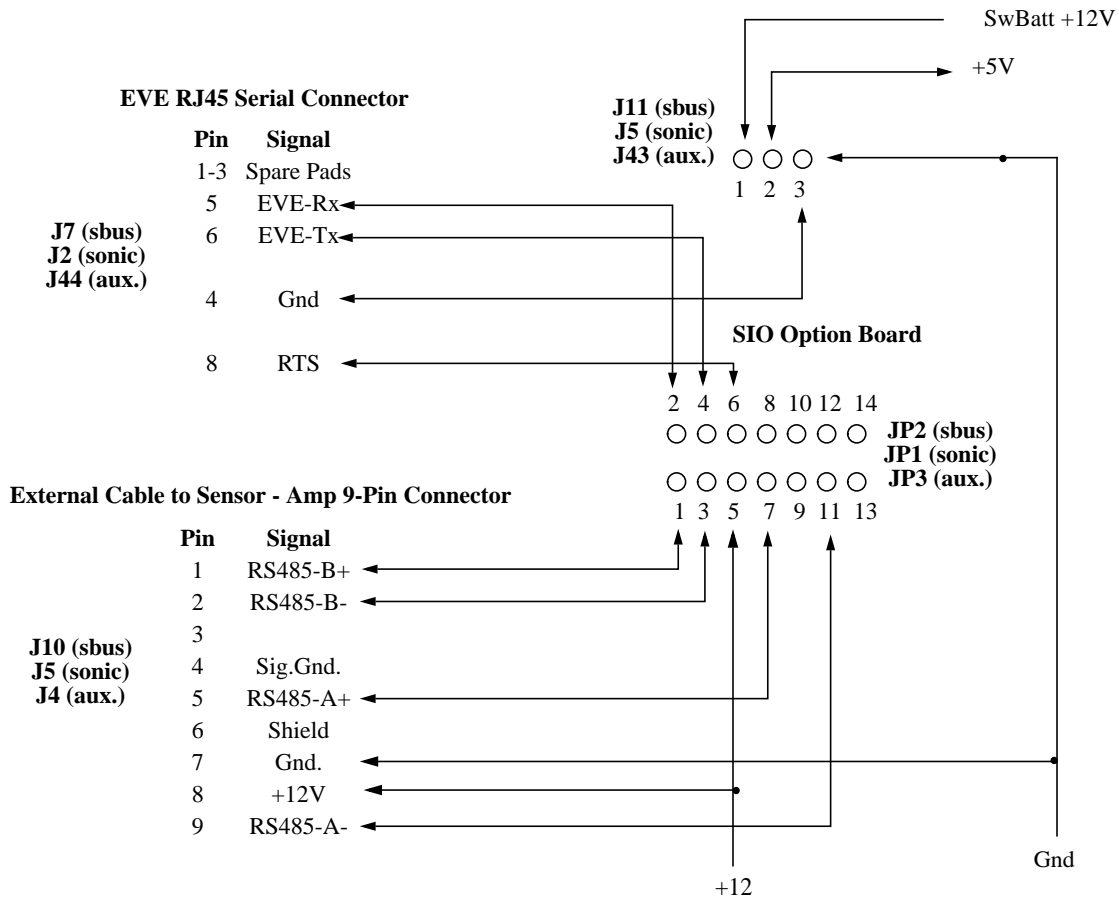
SOPTION2.PCB  
Mon Mar 11 1996



Silk Screen  
Assembly Dwg.

### Wiring to EVE Front Panel:

The Option Board normally plugs into the EVE front panel between headers J11 (power) and JP2 (serial) which are used for the 'SBUS' Amp 9-pin connector. It can also be between J5-JP1 (Sonic) and J43-JP3 (Aux. Port). See the front panel wiring diagrams for more information



EVE Modules built with  
2nd RS485 Not Installed

